

EMC1200R Series

12-Bay Media Converter System



Overview

The EMC1200R is a 12-Bay chassis system specifically designed to house and power selected EtherWAN Media Converters and Ethernet Extenders in a 19" rack enclosure.

The dynamic selections of EtherWAN's media converter and Ethernet extender family provide flexible system combinations. Each bay is electrically isolated from each other with fused over-current protection resulting in unprecedented reliability. The redundant internal power supplies provide both power redundancy and load sharing. Support for AC power input allows the EMC1200R to be used worldwide. With its solid metal enclosure, standard 19" rack-mount and one-unit height design, the EMC1200R is ideal for interconnecting disparate network media and extending Ethernet beyond its boundaries.

EtherWAN — "When Connectivity is Crucial."

Spotlight

12-Bay Rackmount Chassis

» Powers up 12 media converters with redundant terminal block power inputs

Supports EtherWAN's Ethernet extenders and media converters

» Supported media converter Model include, EL2321, EL2211, EL2315, EM120 and EL100/EL200 Series

Specifications

Power

Input

- 100-240VAC, 50-60Hz Internal Universal PSU

Power Consumption

- 9.4Watts, system w/o media converters, but with redundant PSUs.
 - For total EMC1200R power consumption, please calculate with the selected media converters' datasheets.
-

Mechanical

Casing

- Metal Case

Dimensions

- 440 x 243 x 45mm (W x D x H)
(17.32" x 9.57" x 1.77")

Weight

- 3.1Kg (6.82lbs)

Installation

- Rack mounting
-

Environment

Operating Temperature

- 0 to 45°C (32 to 113°F)

Storage Temperature

- -20 to 70°C (-4 to 158°F)

Ambient Relative Humidity

- 5% to 95% (non-condensing)
-

Regulatory Approvals

ISO

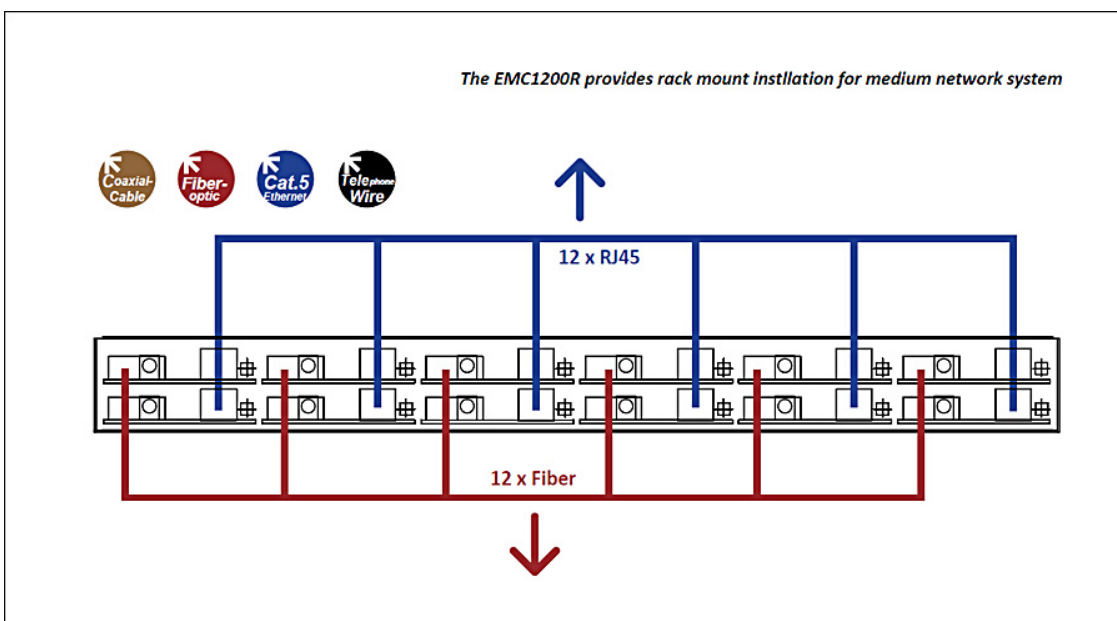
- Manufactured in an ISO 9001 facility

Emission Compliance

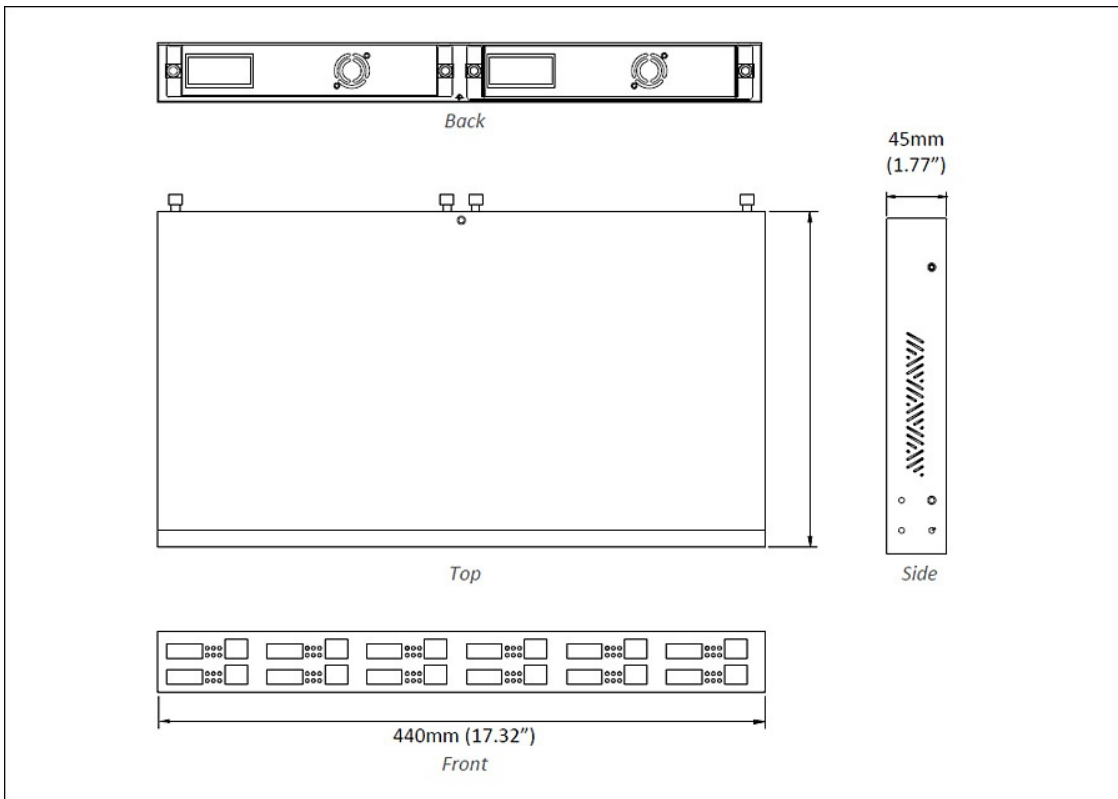
FCC Part 15B Class A

CE Mark Class A

Application



Dimensions



Ordering Info

Model

EMC1200RC	12-Bay EL100C Media Converter System
EMC1200RT	12-Bay EL100T Media Converter System
EMC1220RCC-15	12-Bay EM120MCC-15 Media Converter System

Notes:

- * ST fiber also available in Single Mode, 20Km
- * SC fiber also available in Single Mode, 20/40/60/100/120Km
- * SC fiber also available in WDM Type A and Type B, Single Mode 20/40Km, and Multi Mode 2/5Km
- * More SFP options are available upon request. Please visit Etherwan.com for the latest SFP module datasheet.

Model

EMC1200RGS	12-Bay Gigabit SFP Media Converter System
EMC1230RTSC	12-Bay EL2211-31 Media Converter System
EMC1230RTL-10	12-Bay EL2211-A1 Media Converter System
EMC1230RTL-20	12-Bay EL2211-B1 Media Converter System

Notes:

- * SC fiber also available in WDM Type A and Type B, Single Mode 10/20Km, and Multi Mode 2/5Km
- * More SFP options are available upon request. Please visit Etherwan.com for the latest SFP modules datasheet.

