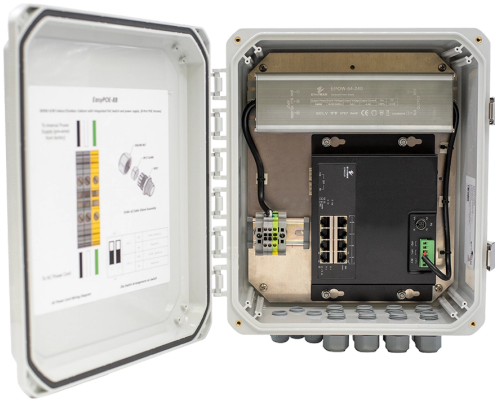


EasyPoE® Lite Series

NEMA-Rated Indoor/Outdoor Complete Security Cabinet Solution



Overview

EtherWAN's EasyPoE® Lite series is an integrated solution that combines a PoE switch, power supply, and a surge suppressor, all in a single, secure, NEMA 4X rated cabinet enclosure. Equipped with either 4 or 8 gigabit PoE ports that provide a full 30W max PoE output per port (with a power budget of 120W for 4-ports and 240W for 8-ports), the EasyPoE Lite series provides the power, time-saving design, and convenience to support a wide variety of applications including surveillance and other networking applications.

EtherWAN — "When Connectivity is Crucial."

Highlights

+ NEMA-Rated Indoor/Outdoor Design for Non-Ventilated & Harsh Environments

- Wide operating temperature -40 to 75°C (-40 to 167°F)
- Fanless, integrated design
- Weather-resistant, anti-corrosion, and vandal-resistant design

+ Time/Cost Saving Features

- Integrated components ready out of the box
- Wall and pole mountable (pole mounting kit option available)
- Preinstalled bulkheads for cable connections

+ Replaceable Hardened Components

- The integrated PoE switch comes with 4 or 8-port options at full 30W PoE per port
- Outdoor-rated, IP67 power supply
- Optional surge suppressor

Specifications

+ Interface

Ethernet Port

10/100/1000BASE-T PoE: 5 or 8 ports
1000BASE SFP: 2 ports (Only for the 8-port switch)

LED Indicators

Per Unit: Power 1, Power 2, Power 3, Relay
Per Port: Link/Activity, PoE

Alarm Contact

1x Relay Output

+ Technology

Standards

IEEE 802.3 10BASE-T
IEEE 802.3u 100BASE-TX/100BASE-FX
IEEE 802.3ab 1000BASE-T
IEEE 802.3x full duplex and flow control
IEEE 802.3af/at/bt Power over Ethernet

Forward/Filtering Rate

14,880pps for 10Mbps
148,880pps for 100Mbps
1,488,000pps for 1000Mbps

Processing Type

Store-and-Forward
Auto-Negotiation
Half-duplex back-pressure full-duplex flow control
Auto MDI/MDIX

Address Table Size

4-Port Switch: 2K
8-Port Switch: 11K

+ Physical

Casing Material

Polycarbonate (PC)

IP Rating

IP67

NEMA Rating

NEMA 4/4X

Impact Protection

IK10

Dimensions

11.75" x 5.22" x 13.81"(W x D x H)
298mm x 127 x 351mm (W x D x H)

Weight

8.9lbs (4.3Kg)

Installation Type

Wall or Pole Mounting

+ Power

Input

100-277VAC

PoE Power Budget

4-Port Switch: 120W @ 75°C
8-Port Switch: 240W @ 75°C

+ Environmental

Operating Temp.

-40 to 75°C (-40 to 167°F)

Storage Temp.

-40 to 85°C (-40 to 185°F)

Relative Humidity

10% to 95% (non-condensing)

MTBF

450,000 hours

+ Warranty

Length

Limited Lifetime

Details

www.etherwan.com/support/warranty-policy

+ What's Included

Device

EasyPoE® Lite

Installation

Wall Mounting Adapter

Documentation

Quick install guide

+ Regulatory

ISO

Manufactured in ISO-9001 facility

EMI

FCC Part 15B Class A

EN 55.32/35

EMS

EN 61000-4-2 (ESD)

EN 61000-4-4 (Burst)

EN 61000-4-5 (Surge)

Safety

UL 60950-1

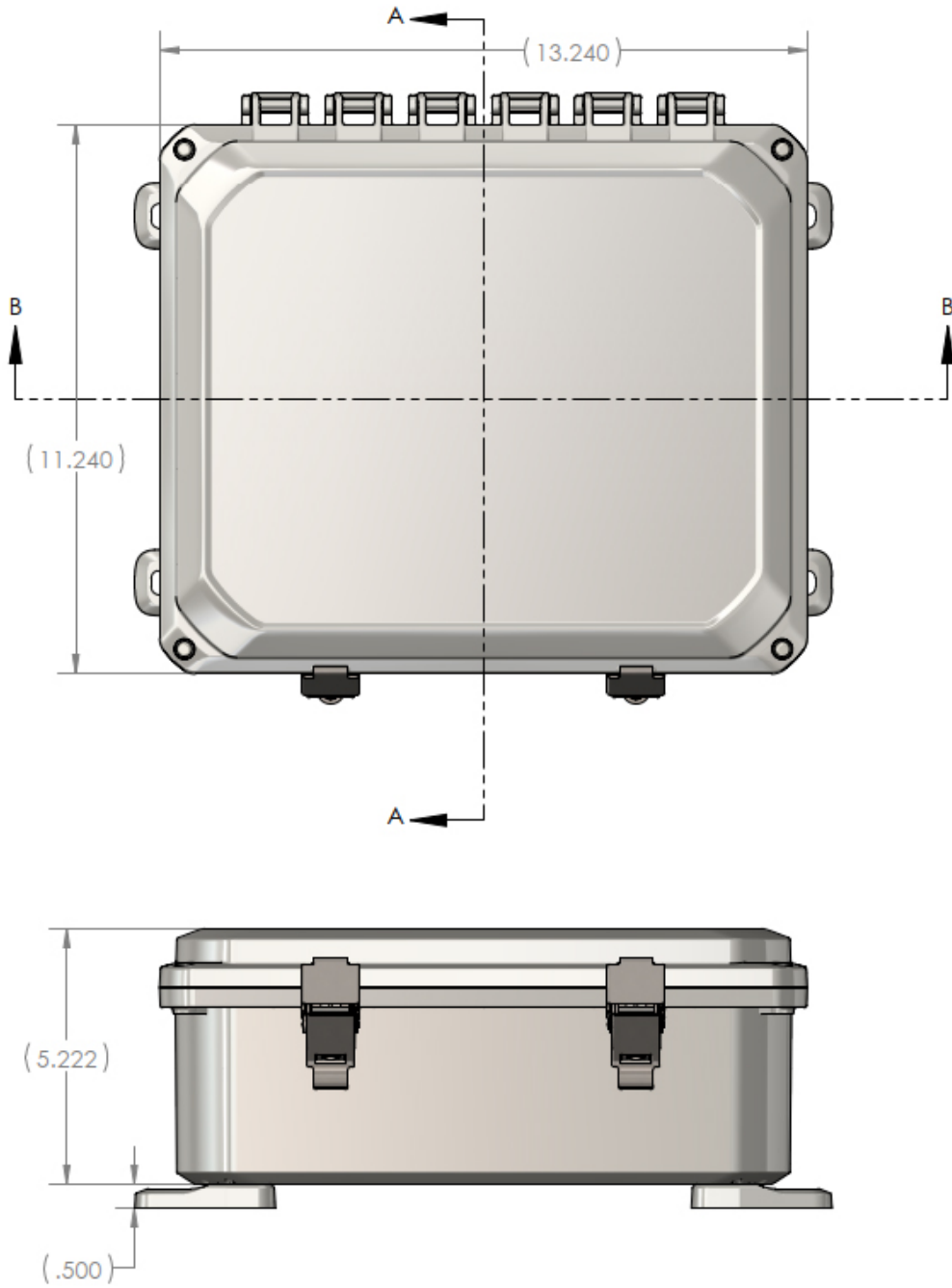
Vibration

IEC 60068-2-6

Shock

IEC 60068-2-27

Dimensions



Ordering Info

+ Model

EASYPOE4B	4-Port 10/100/1000BASE-T PoE + 1-Port 10/100/1000BASE-T RJ45
EASYPOE4P	4-Port 10/100/1000BASE-T PoE + 1-Port 10/100/1000BASE-T RJ45 + Surge Suppressor
EASYPOE8B	8-Port 10/100/1000BASE-T PoE + 2-Port 1000BASE SFP
EASYPOE8P	8-Port 10/100/1000BASE-T PoE + 2-Port 1000BASE SFP + Surge Suppressor
EASYPOE4B-PMT	4-Port 10/100/1000BASE-T PoE + 1-Port 10/100/1000BASE-T RJ45 w/ Pole Mount Kit
EASYPOE4P-PMT	4-Port 10/100/1000BASE-T PoE + 1-Port 10/100/1000BASE-T RJ45 + Surge Suppressor w/ Pole Mount Kit
EASYPOE8B-PMT	8-Port 10/100/1000BASE-T PoE + 2-Port 1000BASE SFP w/ Pole Mount Kit
EASYPOE8P-PMT	8-Port 10/100/1000BASE-T PoE + 2-Port 1000BASE SFP + Surge Suppressor w/ Pole Mount Kit

+ Accessories

EASYPOEPMT	Pole Mounting Kit for EasyPoE Lite Series
Hardened Gigabit SFP Modules	www.etherwan.com/us/products/sfp-fiber-transceiver



© EtherWAN Systems, Inc. All rights reserved. 20241122

EtherWAN is constantly developing and improving products. Specifications are subject to change without notice and without incurring any obligation.