

# KR-BKZDIN

Z-Shape Cabinet Brackets



## Highlights

### + Dynamic Install

Install anywhere in open rack or cabinet space

Vertical and horizontal configurations for larger installation flexibility

Din Rail configuration support for EX78900/EX78900E/EX78000/EX73900/EX73900E

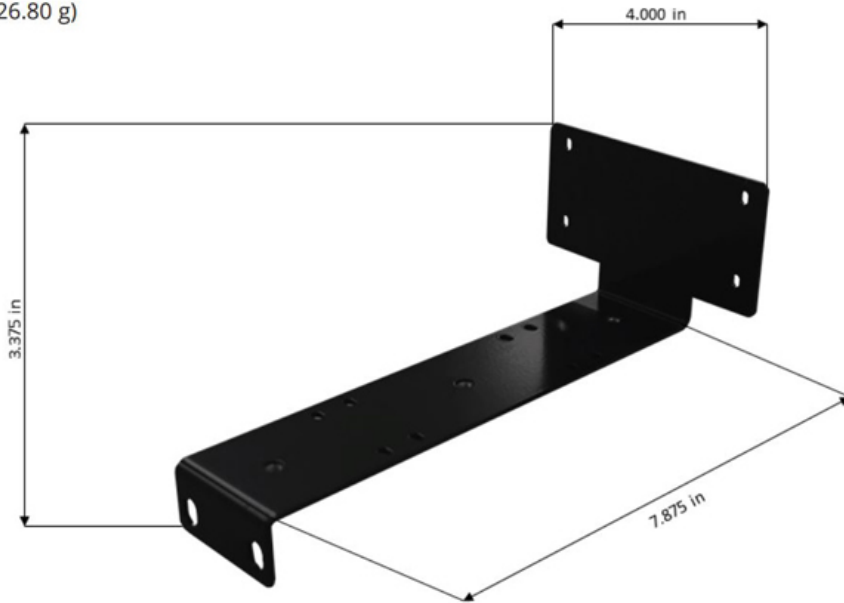
## Overview

KR-BKZDIN brackets offer the installation of EX78900/EX78900E/EX78000/EX73900/EX73900E inside rack or cabinets virtually anywhere with open space. Vertical and horizontal configurations allow device installation in unique spaces. Din-rail configurations for KR-BKZDIN gives brackets the ability to attach even more devices.

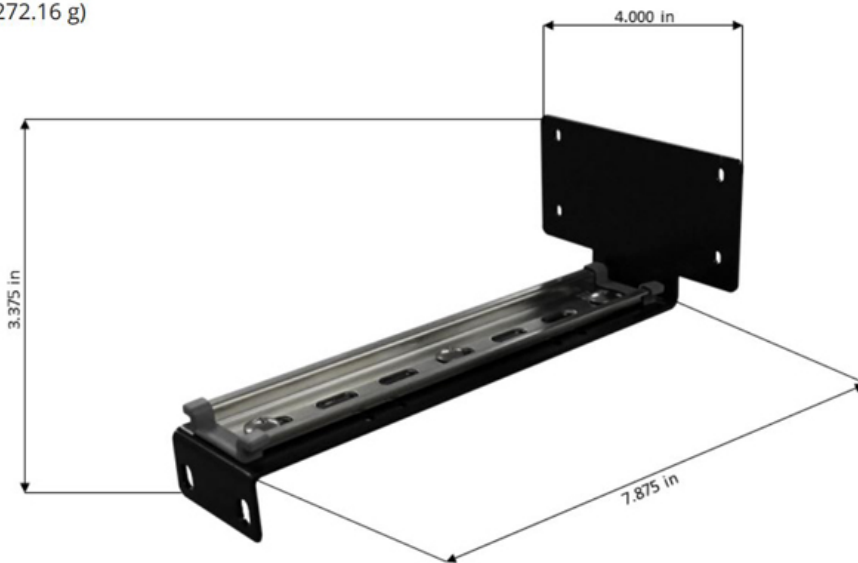
EtherWAN — "When Connectivity is Crucial."

## Technical Specifications

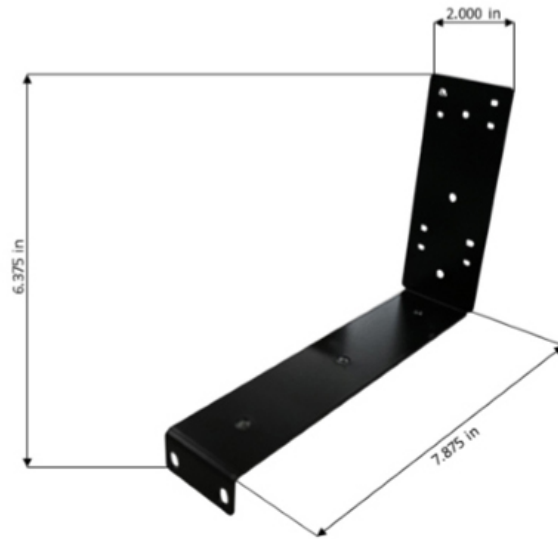
Product Number: KR-BKZDIN  
Build Material: Metal  
Color: Black  
Weight: .50lb (226.80 g)



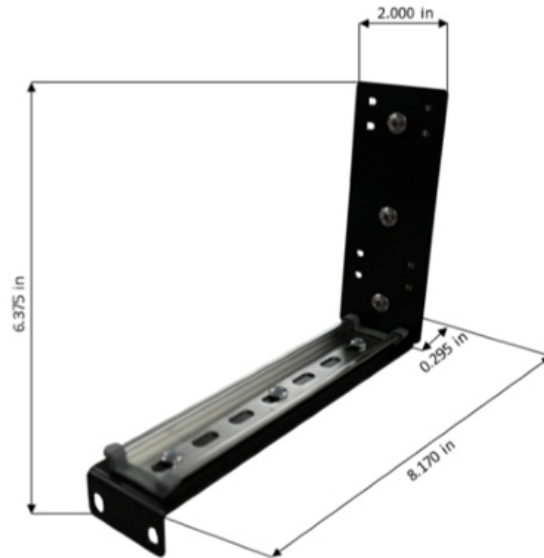
Product Number: KR-BKZDIN-D  
Build Material: Metal  
Color: Black  
Weight: .60lb (272.16 g)



Product Number: KR-BKZDIN2  
Build Material: Metal  
Color: Black  
Weight: .55lb (248.48 g)



Product Number: KR-BKZDIN2-D  
Build Material: Metal  
Color: Black  
Weight: .80lb (362.88 g)



## Application



Most cabinets do not utilize the empty spaces in the back.



Our brackets allow for the installation of non-rack mount switches.



Devices can be attached directly to the bracket.



Din Rail configuration allows Din Rail devices to be mounted, which frees up more space for more devices.

## Ordering Info

### + Model

KR-BKZDIN	Z-Shaped Vertical Bracket
KR-BKZDIN-D	Din Rail configuration for Z-Shaped Vertical Bracket
KR-BKZDIN2	Z-Shaped Horizontal Bracket
KR-BKZDIN2-D	Din Rail configuration for Z-Shaped Horizontal Bracket

